

# USER MANUAL

## Multi- 2-Channel switch

Catalog No. 2KM

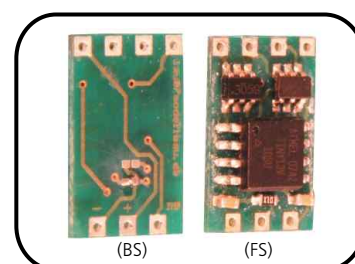
A building stone for a remote control device channel switch

### 2KM - Functions, tips and instructions

This device allows for the easiest and simplest switching of channels using a remote control device. Soldered bridges all a free configuration of this device.. For transmitting, a switch and/or control stick. With inductive loads, such as with relays or engines, a self induction recuperation diode should be part of the configuration.

Technical Specifications	2KM
Operational voltage in V	2,7 - 5,5
Load current per output in mA	500
Weight not including cable in grams	0,4
Dimensions	14,5 x 9,5 x 2,5

Configuration			
Modus	Soldered bridge	1	2
BLINK	Output 1 Memory, Output 2 + 3 blinking		
MEMORY	Memory switch	x	
MIX	Output 1 momentary contact, Output 2 Memory		x
TAST	Contact switch	x	x

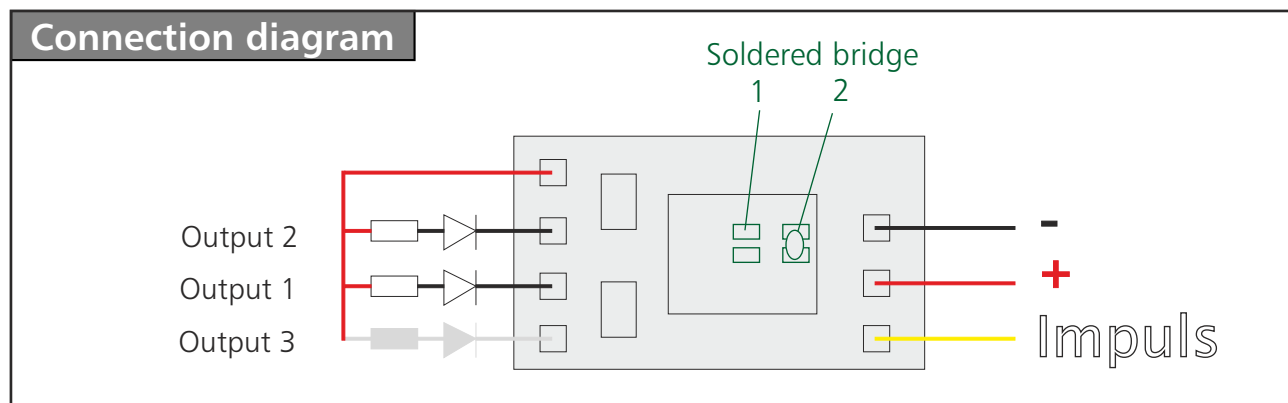


Dimensions: 14.5 x 9.5 x 2.5 mm

#### Modus equamenti:

- Contact switch:** Both outputs are momentary contacts, which means that as long as the switch is activated on the equipment, the output is active.
- Memory switch:** Just a short activation of the control stick activates the output, moving it again deactivates the switch.
- Flasher:** The second function activates the output 2 and 3 asynchronously, i.e. flashing, to the memory function. This activates 2 flashing lights.  
The first output serves as a memory switch.

### Connection diagram



After it has been activated, the 2KM 'learns' its zero point This means that the control stick and /or switch should be at the midpoint setting within a patter of seconds.

### Safety tips for a long service life:

The following tests are to be conducted before the 2KM becomes operational:

In order to avoid any damage to the equipment:

- Test the polarity of the operational voltage
- Check the engine's output for short circuits.